

## MG Metering Valve

### Specification

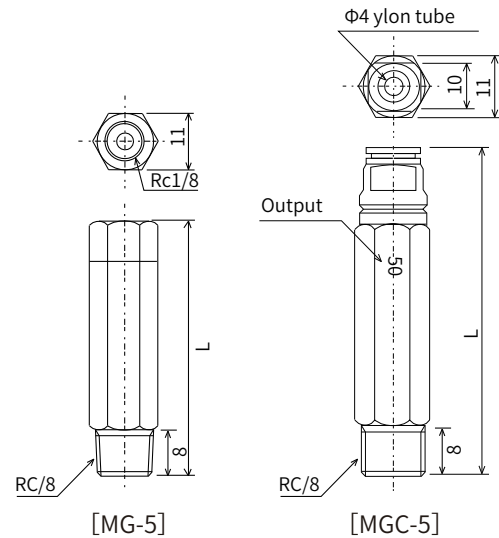


Model	Output(mL/CY)	Mark	L(mm)	Fittings	Working	Reset
MG-3	0.03	3	46	Sleeve type	≥1.2MPa	≤0.5MPa
MG-5	0.05	5	46			
MG-13	0.13	13	54			
MG-20	0.20	20	59			
MG-30	0.30	30	59			
MG-50	0.50	50	65			
MGC-3	0.03	3	50.5	Quick type		
MGC-5	0.05	5	50.5			
MGC-10	0.10	10	50.5			
MGC-20	0.20	20	58			
MGC-30	0.30	30	58			
MGC-50	0.50	50	69.5			

### Order Code

<b>MG</b>	<b>5</b>
Fitting Type	Output
MG = Sleeve type	3 = 0.03mL/cyc
MGC = Quick type	5 = 0.05mL/cyc
	13 = 0.13mL/cyc
	20 = 0.20mL/cyc
	30 = 0.30mL/cyc
	50 = 0.50mL/cyc

### Dimension



### Features

1. Pressurized quantitative metering valve, a direct pressure action type.  
The pressure oil delivered by the pump pushes the piston built into the metering valve to move, forcing the quantitative lubricant to be discharged.  
When the pump stops working, the piston of the metering part is reset under the action of the spring force, that is, the quantitative lubricant is stored.
2. Accurate discharge, the metering part is discharged only once in one cycle, and the distance between each other in the system, whether it is far, near, high or low, horizontal or vertical installation, has no effect on the discharge.
3. Forced discharge, sensitive action. Two seals are used to prevent the discharged from flowing back.
4. Metering valves can be selected based on the needs of each lubrication point, and can be used in combination with the MGJ junction, either in series or parallel.
5. Sleeve type: Φ4 nylon tube needs to be combined with PA-4 joint and PB-4 double cone ferrule. Quick plug-in type: Φ4 nylon tube can be inserted.
6. Applicable to NLGI 000#, 00# grease.

## Metering Junction( $\Phi 6$ , $\Phi 8$ )



### Order Code

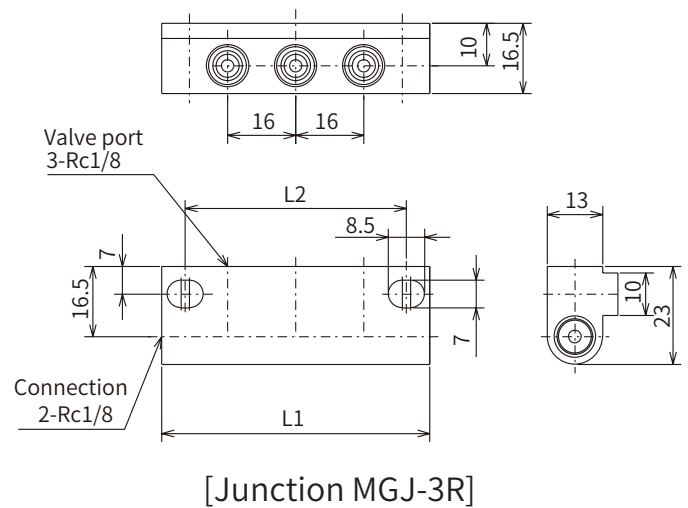
**MGJ** — **5** — **R**

Outlets 2-12  
Thread on both sides  
M = M10x1(with PD-601)  
R = Rc1/8

### Specification

Model	Oulets	L1	L2	N.W(g)
MGJ-1R	1	33	22	22
MGJ-2R	2	49	38	34
MGJ-3R	3	65	54	46
MGJ-4R	4	81	70	58
MGJ-5R	5	97	86	70
MGJ-6R	6	113	102	81
MGJ-7R	7	127	116	94
MGJ-8R	8	143	132	106
MGJ-9R	9	159	148	118
MGJ-10R	10	175	164	130
MGJ-12R	12	207	196	142

### Dimension



Made of aluminum alloy, with anodized surface, beautiful appearance. The mounting holes can be processed as needed.

### Assembly Code

**MGK 5 1 2 3 4 5 A D6 G**

- MGK+MGJ
- Number of outlets 2~12
- Discharge of each metering valve
- A = Sleeve type valve fittings, C = Quick type valve fittings
- Junction left side: N = None/Rc1/8, G = Plug, D6 =  $\Phi 6$  straight connector, D8 =  $\Phi 8$  straight connector, H6 =  $\Phi 6$  elbow, H8 =  $\Phi 8$  elbow
- Junction right side: N = None/Rc1/8, G = Plug, D6 =  $\Phi 6$  straight connector, D8 =  $\Phi 8$  straight connector, H6 =  $\Phi 6$  elbow, H8 =  $\Phi 8$  elbow

