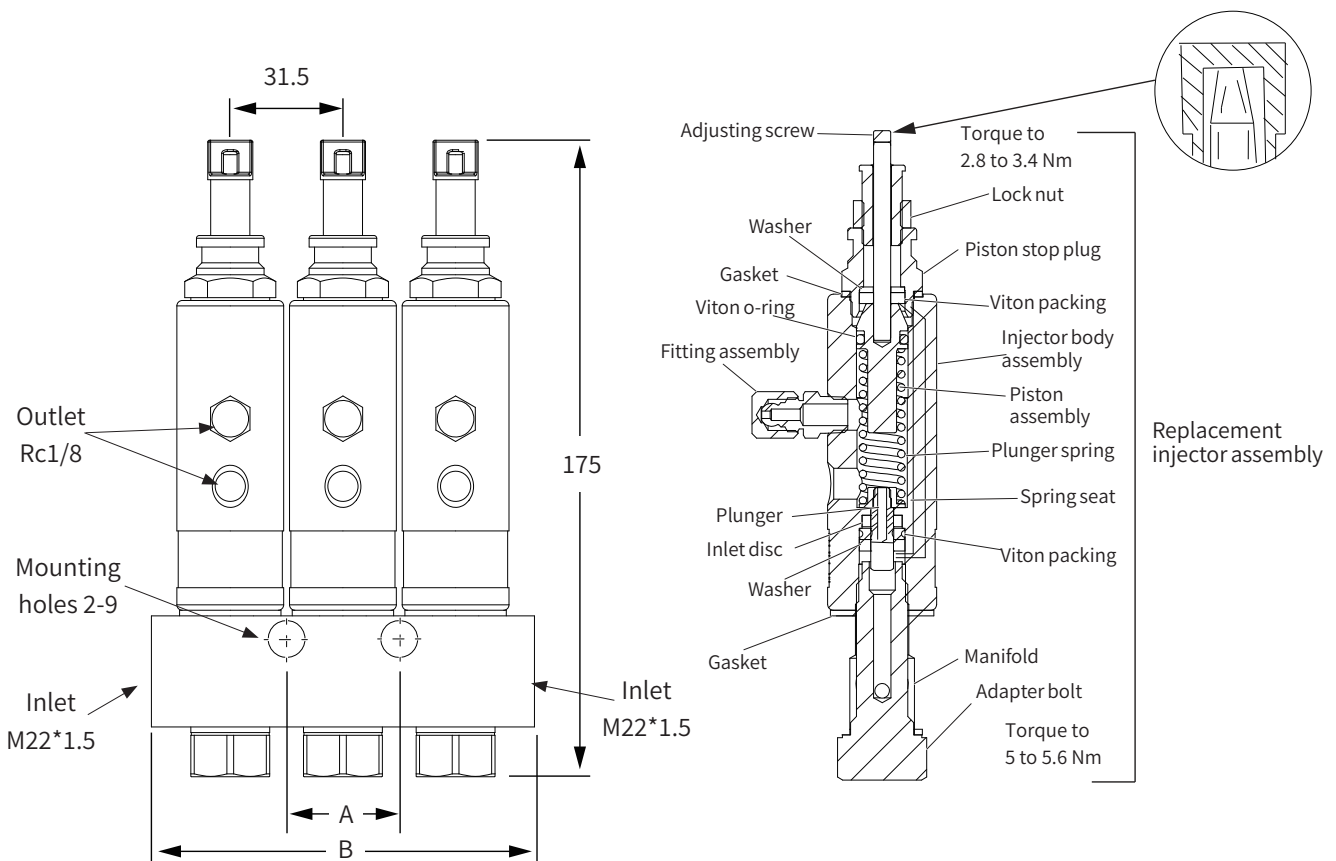


JL-1 Grease Injector



Feature

- Design for single-line high pressure automatic lubrication system.
- Suitable for dispensing grease compatible up to NLGI #2.
- Grease output is adjustable.
- Indicator pin allows convenient visual inspection of injector operation.
- Each injector can be removed easily for inspection or replacement.
- High quality nickel plating surface treatment achieves high corrosion resistance.
- Working temperature -26 to +176 °C, if used outside range of -10~80°C, please indicate so that it can be equipped with low and high temperature resistant oil seal.



Specification

No. of Outlet	1 (JL-11)	2 (JL-12)	3 (JL-13)	4 (JL-14)	5 (JL-15)	6 (JL-16)
A(mm)	-	-	32	64	96	127
B(mm)	63	84	116	148	180	212
N.W (kg)	1	1.6	2.4	3.2	4.0	4.8

Model	Output	Min pressure	Max pressure	Working	Vent	Inlet port	Outlet port	Lubricant
	mL/cycle	MPa	MPa	MPa	MPa	mm	Inch	NLGI
JL-1	0.13~1.3	12	31	5~8	4	M22*1.5	Rc1/8	#000~#2